

## SERIES 1000 – SPECIFICATIONS

**VOLTAGE 220/110VAC 50/60HZ 1 PHASE**  
**POWER 440VA**

### LABEL SPECIFICATIONS:

Dispensing speed

Maximum 30m/min

Minimum 5m/min

Label reel core size 76mm inside diameter

Label reel outside diameter 335 maximum

Label size vertical 15mm – 215mm

Label size horizontal 20mm – 999mm

Label gap size minimum 2.5mm

Label stop accuracy +/- 0.5mm (on dispensing edge)

Right and left labelling heads

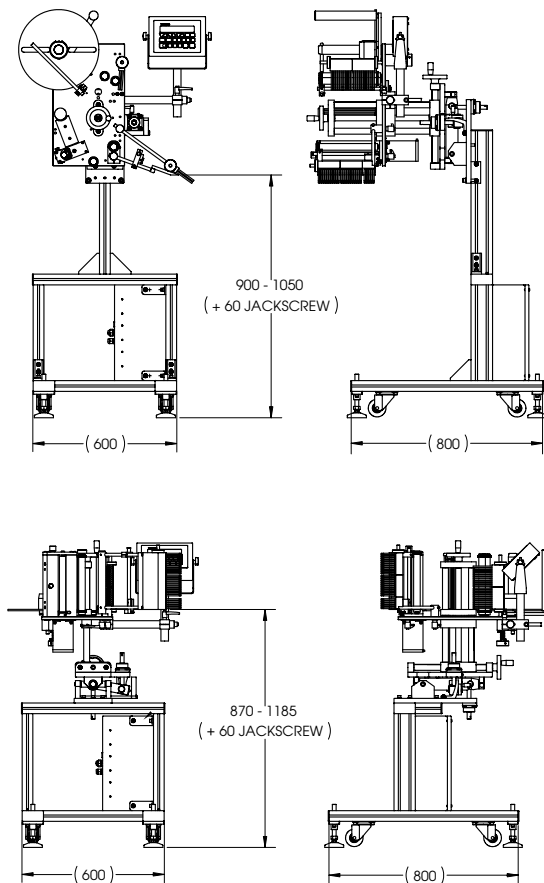
### MECHANICAL ADJUSTMENTS

Height adjustment side 870mm – 1185mm

Height adjustment overhead 900mm – 1050mm

Horizontal adjustment 0mm – 150mm

Tilt adjustment +/- 8 degrees



### FEATURES

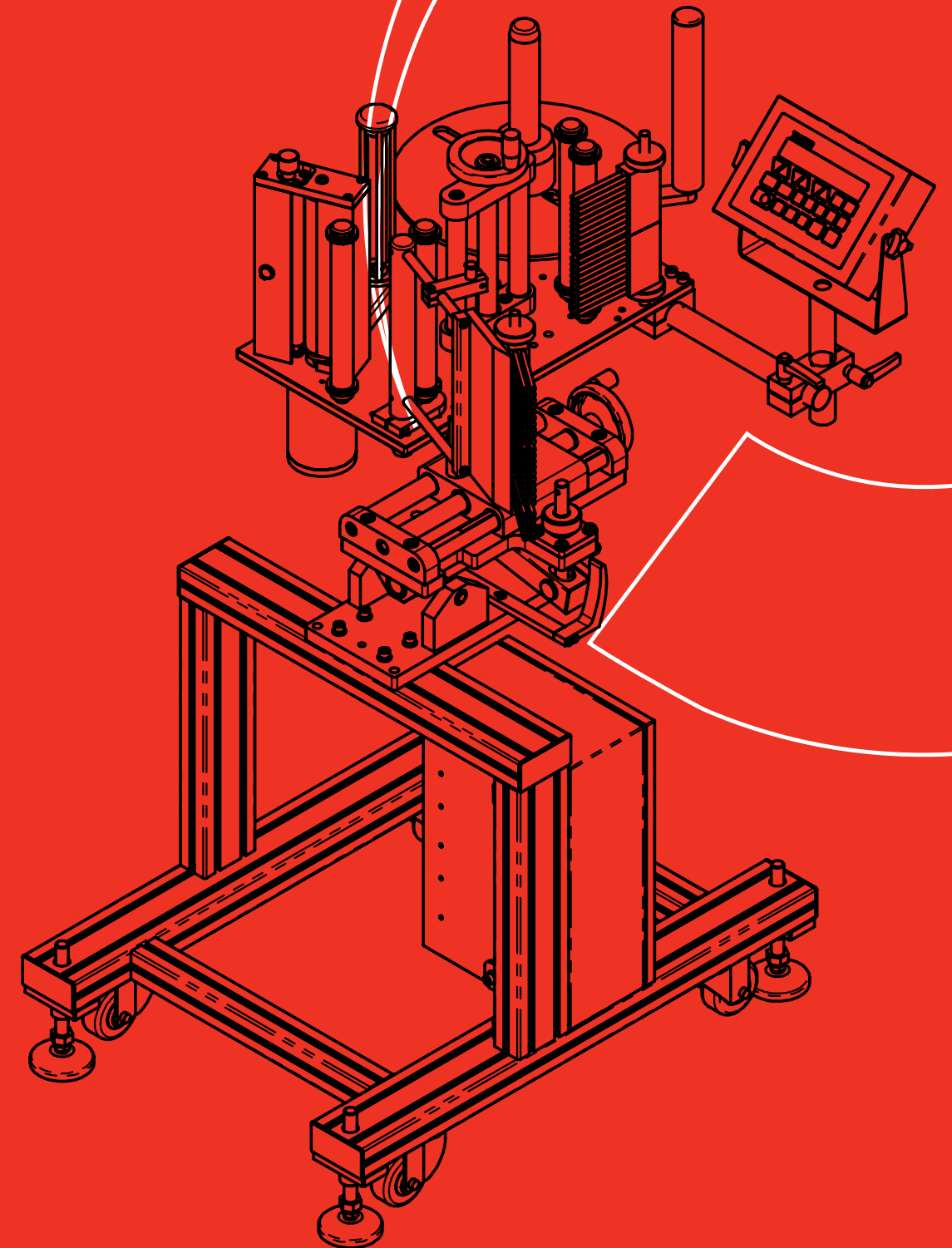
- 4 X 40 character LCD display
- Easy to use custom membrane keypad
- Simple self-explanatory control interface
- Easy fast electronic adjustment of label & speed settings
- 100 Preset memory locations for set up recall
- Missing label, label overrun detect and abort reduces label wastage
- Product counter and labelling throughput (rate) display
- Easy electronic adjustment of label offset at peel plate edge

### OPTIONS:

- Encoder for variable speed
- Low label detection sensor
- Configurable signal pulse to activate a hotfoil coder, thermal print head or inkjet printer
- Warning beacon
- Overhead mounting bracket

## SERIES 1000

### Intelligent Modular Labelling



[www.tronics.com.au](http://www.tronics.com.au)

**TRONICS™**

#### TRONICS PTY LTD (HEAD OFFICE)

85 Northgate Drive  
Thomastown VIC 3074  
Toll Free 1300 66 1300  
Telephone : +61 3 9464 2400  
Fax : +61 3 9464 2400  
Email : sales@tronics.com.au

#### NEW ZEALAND

Unit K 24 Allright Place  
Mt Wellington, Auckland  
PO Box 14789  
Panmure Auckland NZ  
Telephone : +64 9 573 5288  
Fax : +64 9 573 5988  
Email : sales@tronics.com.au

#### USA

1430-34 East 88 th Place  
Merrillville IN 46410  
Telephone : 1 219 769 0876  
Fax : 1 219 769 0962  
Email : sales@TronicsAmerica.com  
web : www.tronics-us.com

#### MALAYASIA

Lot 5048 Jalan 18/62  
Taman Sri Serdang  
43300 Seri Kembangan  
Selangor, Malaysia  
Telephone : 603 8945 9388  
Fax : 603 8945 9387  
Email : mk.ho@tronics.com.au

**TRONICS™**

## INTELLIGENT MODULAR LABELLING

Tronics have developed the first truly low cost flexible label applicator with its unique modular design (with build it your self option) and the ability to apply labels on the side and overhead.

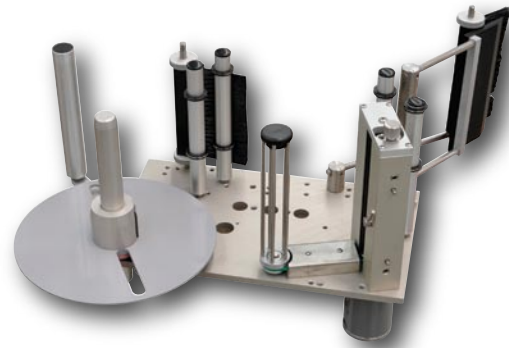
Series 1000 is ideally suited for promotional & seasonal trends, making Series 1000 a must have product for any production line.

## ROBUST CONSTRUCTION

The Tronics Series 1000 has been specifically designed to stand up to the most demanding production environment.

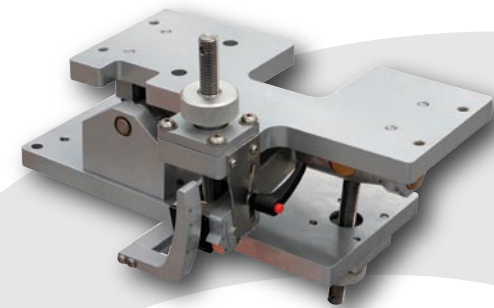
## RELIABILITY & ACCURACY

Tronics labelling equipment supplies the highest degree in reliability, durability and label placement accuracy of +/- 1mm at speeds that suit most industries.



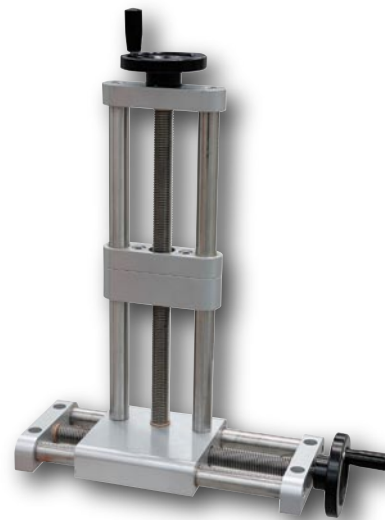
### LABELLING HEAD

Tronics versatile labelling head allows labels ranging from 15mm to 215mm in height and 20mm to 999mm in length to be applied. This gives you greater flexibility to meet current and future production needs.



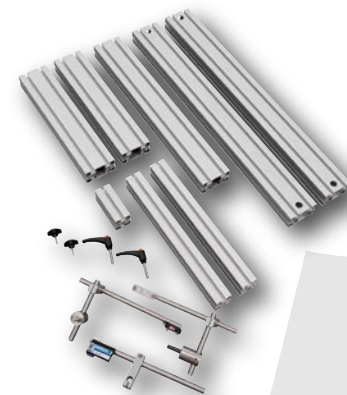
### TILT ASSEMBLY

The Tilt Assembly module allows the labelling heading to pivot left or right and up or down supplying better label placement when dealing with difficult angular containers.



### X-Y ASSEMBLY

The X-Y Assembly design moves the labelling head in or out and up or down giving great flexibility to place the labelling head in the appropriate position and increasing up time without the need to move the labeller.



### FRAME

The frame is constructed from extruder aluminium, with heavy-duty castors and cast alloy positioning pads. The aluminium frame is suitable for the harshest environment.



### CONTROL PANEL

Is a user-friendly microprocessor control system, which has many features including: up to 100 recall of job settings (faster make ready), missing label detection, label over, product count, speed settings etc.