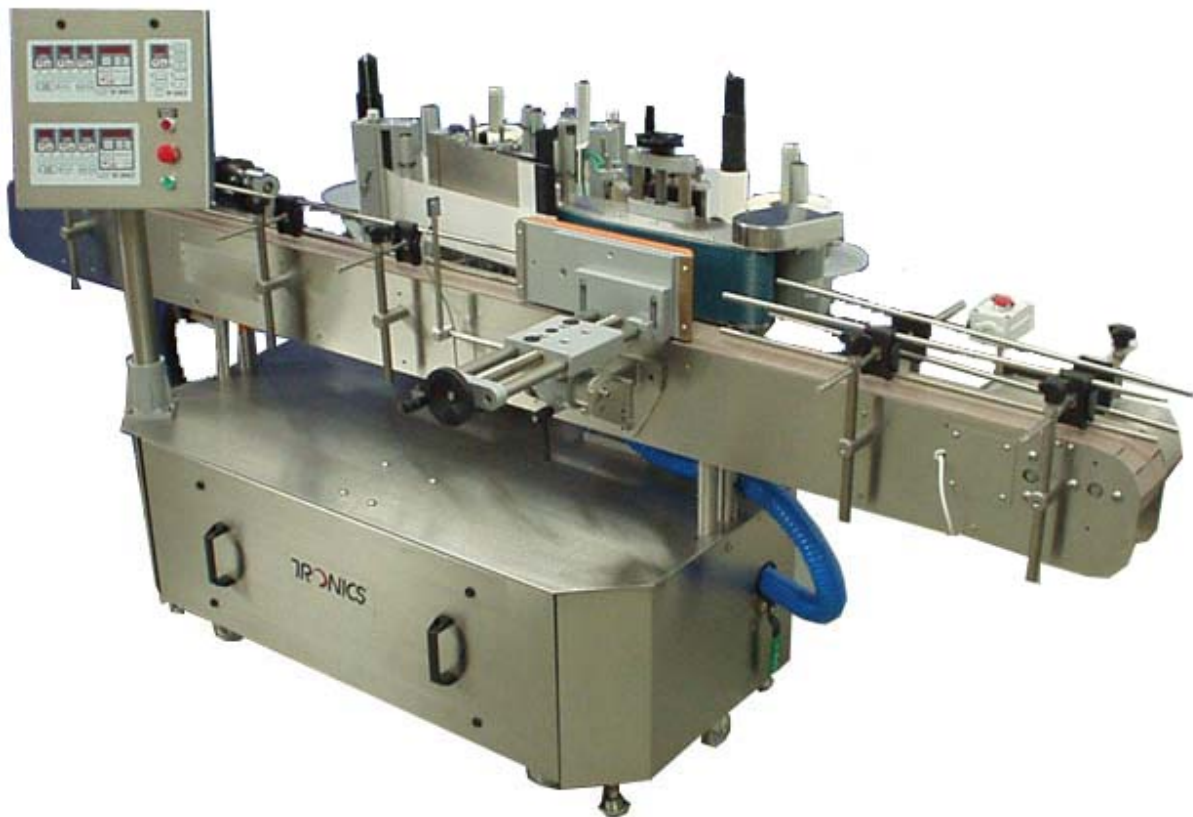




*Excellence in Labeling & Decorating Systems*  
*Pressure Sensitive • Heat Transfer • Print & Apply*

## Series 3 Premier Labeling System Wine Labeler



**Shown above: Tronics Series 3 Wrap Around Premier Labeling System Designed for Wine Label Applications  
Custom Configurations Available & Field Upgrade Ready!**

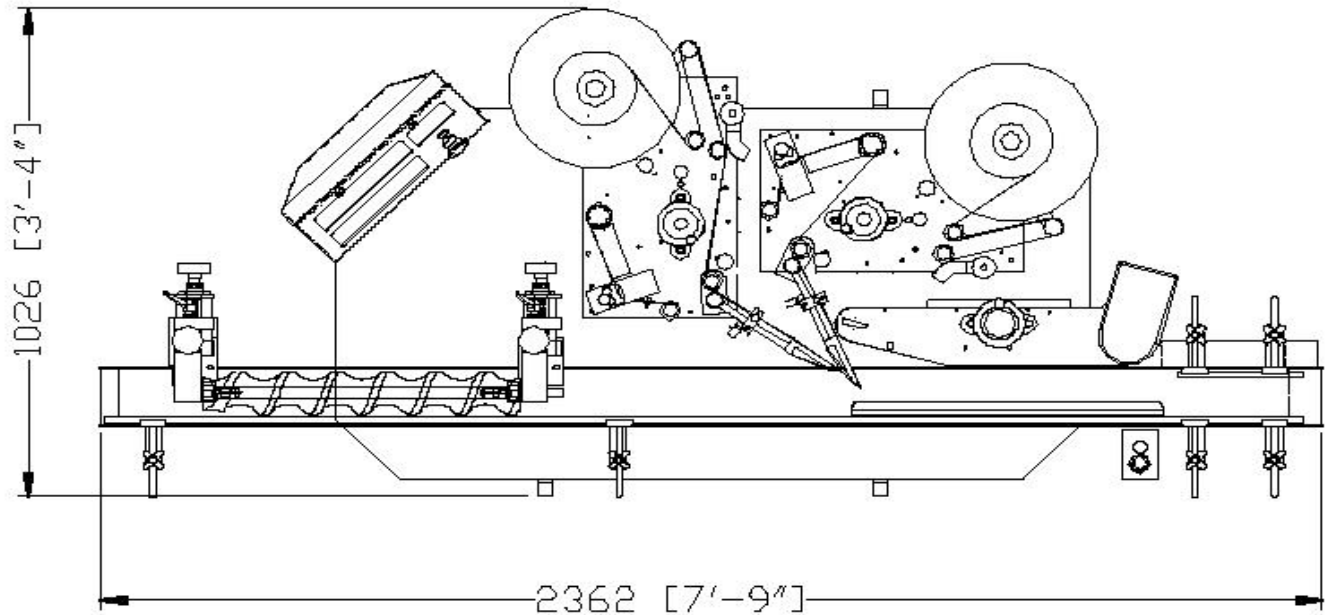
**Tronics America, Inc.  
1430 E. 86<sup>th</sup> Place  
Merrillville, IN 46410**

Phone: 219-769-0876 • Fax: 219-769-0962  
E-mail: [sales@TronicsAmerica.com](mailto:sales@TronicsAmerica.com) Website: [www.TronicsAmerica.com](http://www.TronicsAmerica.com)



# Scaled Footprint

Millimeters and feet/inches



## \*Note Additional Specifications on Wine Labeler Configuration

- Electrical – 220v, single phase, 50-60hz, 16amps

